



# FIRE DEPARTMENT SANTA CLARA COUNTY



14700 Winchester Blvd., Los Gatos, CA 95032-1818  
(408) 378-4010 • (408) 378-9342 (fax) • www.sccfd.org

<b>STANDARD DETAILS &amp; SPECIFICATIONS</b>  <b>SUBJECT:</b> Specifications for Driveways, Turnarounds and Turn Outs Serving up to two (2) Single Family Dwellings	Spec No	D-1
	Rev. Date	04/26/18
	Eff. Date	01/23/97
	Approved By	
	Page 1	of 3

## SCOPE

This standard is applicable to driveways serving up to two (2) single family dwellings where any portion of the dwelling(s) is greater than 150 feet from the center line of a public roadway. The specifications contained in this standard apply only to properties located within the incorporated city/town service areas of the Santa Clara County Fire Department. Fire department access for dwellings in unincorporated County areas shall conform to County of Santa Clara driveway/roadway standards.

## AUTHORITY

California Fire Code (CFC), Applicable Municipal/Town Codes and Standards

## DEFINITIONS

Driveway: A vehicular access roadway less than 20 feet in width and serving no more than two single-family dwellings.

Roadway: A vehicular access roadway greater than or equal to 20 feet in width serving more than two single-family dwellings.

## REQUIREMENTS

### I. DRIVEWAY WIDTH

- A. For Campbell, Cupertino, Los Gatos, and Monte Sereno: A 12-foot wide paved surface.
- B. For Los Altos and Los Altos Hills: A 14-foot wide paved surface.
- C. For Saratoga: A 14-foot wide paved surface with a one-foot drivable shoulder on each side.

### II. VERTICAL CLEARANCE

The vertical clearance above the entire length of the driveway shall be in accordance with the CFC; 13 feet 6 inches.

SD&S D1/lg/04.26.17

Organized as the Santa Clara County Central Fire Protection District

Serving Santa Clara County and the communities of Campbell, Cupertino, Los Altos, Los Altos Hills, Los Gatos, Monte Sereno, and Saratoga

### III. GRADE

**NOTE:** When approved by the fire code official, grades up to 20% may be allowed. In no case shall the portion of driveway exceeding 15% gradient be longer than 300-feet in length. For longer driveways, there shall be at least 100-feet of driveway at 15% or less gradient between each 300-foot section that exceeds 15%.

### IV. GATES

The installation of gates or other barricades across driveways shall comply with Santa Clara County Fire Department's Standard G-1.

### V. PAVEMENT SURFACE:

Driveways shall be an all-weather surface road of either asphalt, concrete or another engineered surface acceptable to the fire department. The surface shall be approved by a civil engineer and be able to support apparatus weighing at least 75,000 pounds.

**NOTE:** For alternative roadway surfaces such as "Turf Block" or other materials that blend into landscaping and/or that do not readily appear to be driving surfaces, the boundary edges of the alternate material shall be delineated as approved by the fire code official. Delineation shall be by concrete curbs, borders, posts, or other means that clearly indicate the location and extent of the driving surface.

### VI. BRIDGES AND CULVERTS:

- A. Where a bridge or an elevated surface is part of a fire apparatus access road, the bridge shall be constructed and maintained in accordance with AASHTO HB-17.
- B. All bridges, elevated surfaces and culverts shall be designed for a live load sufficient to carry the imposed load of a fire apparatus weighing at least 75,000 pounds. Vehicle load limits shall be posted at the entrance to the bridge. Additional signs may be required by the fire code official. Where elevated surfaces designed for emergency vehicle use are adjacent to surfaces which are not designed for such use, approved barriers, approved signs or both shall be installed and maintained when required by the fire code official.

### VII. ANGLES OF APPROACH AND DEPARTURE:

For driveways sloping upward from the access roadway, the angles of approach and departure shall be as approved by the fire code official based on Santa Clara County Fire Department Standards Details and Specification A-1 – Fire Department Apparatus Access.

### VIII. TURNING RADIUS:

The minimum outside turning radius is 40 feet, unless otherwise specified.

**Exception:**

Modified turning radius may be allowed by the fire code official in cases where conditions acceptable under the CFC allow for such deviation. Requests for such modifications must be made in writing to the fire code official for review.

SD&S D1/1g/04.26.17

**IX. TURNOUTS:**

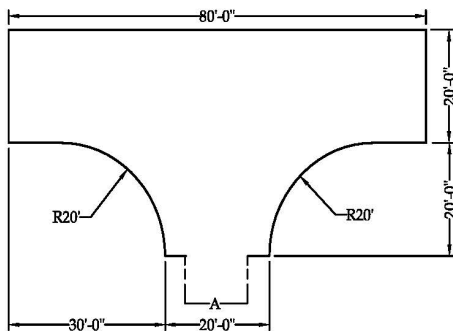
Turnouts are required every 500 feet for driveways in excess of 500 feet.

**X. TURNAROUNDS:**

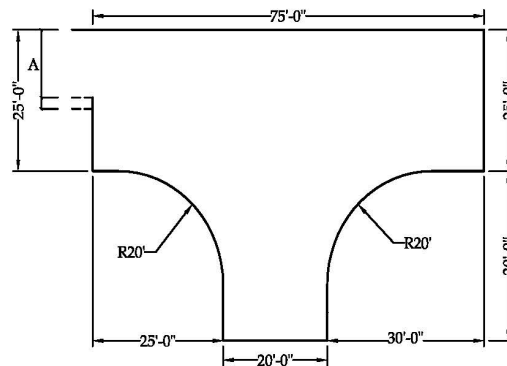
Turnarounds are required for all driveways with a length in excess of 150 feet.

**NOTE:** Turnarounds cannot exceed 5% in any one direction.

**RESIDENTIAL TURNAROUNDS & TURNOUT**

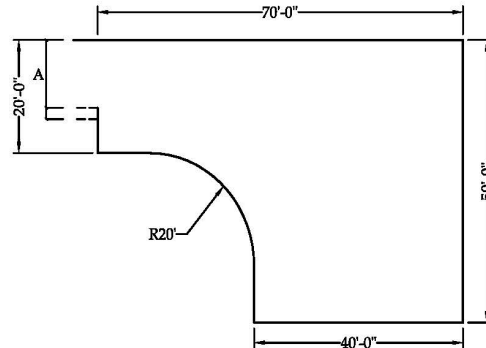


TURNAROUND A

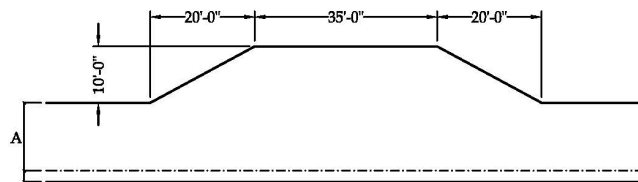


TURNAROUND B

<p><b>DIMENSION A:</b>  <b>DRIVEWAY WIDTH:</b></p> <p><b>12 FT</b></p> <ul style="list-style-type: none"> <li>• CAMPBELL</li> <li>• CUPERTINO</li> <li>• LOS GATOS</li> <li>• MONTE SERENO</li> </ul> <p><b>14 FT</b></p> <ul style="list-style-type: none"> <li>• LOS ALTOS</li> <li>• LOS ALTOS HILLS</li> <li>• SARATOGA</li> </ul>
--



TURNAROUND C



TURNOUT - DRIVEWAYS > 500 FT.